



+ WE CAST STRONG CONNECTIONS +

FERESPE brand in Energy, Oil & Gas Industry

Focused on the production of technical parts for high performance applications, using the following alloys:

- Medium and low alloy steels with a full range of low residuals
- Duplex, super-duplex, martensitic, austenitic and super-austenitic stainless steels

We are positioned in a small and medium series niche market, exporting about 90% of what we produce.

Max. Dimensions Mechanical Moulding

1300 x 1000 x 800 mm

Max. Dimensions Hand Moulding

1300 x 1075 x 1100 mm

650 KG Maximum
Capacity/Piece

MACHINING

SURFACE TREATMENT

As Energy, Oil & Gas Industry constitutes the foundations of industrial modern economy, in its modus operandi and therefore of the modus vivendi of contemporary man, this is a central market for our company.



FERESPE produces several types of parts

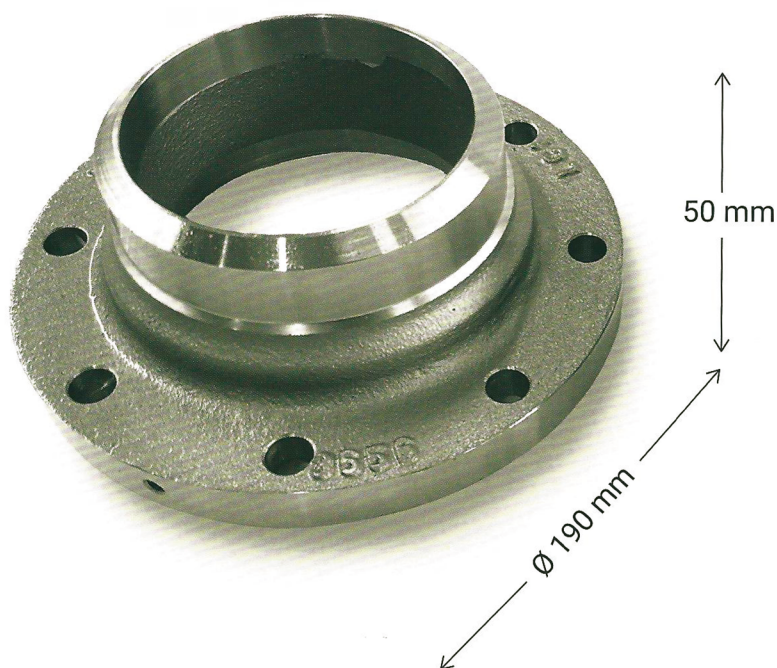
Some examples:

Flange 4"

Material: Low Temperature Alloyed Steel

Supply Finish: Casted and Fully Machined

Weight: 6kg

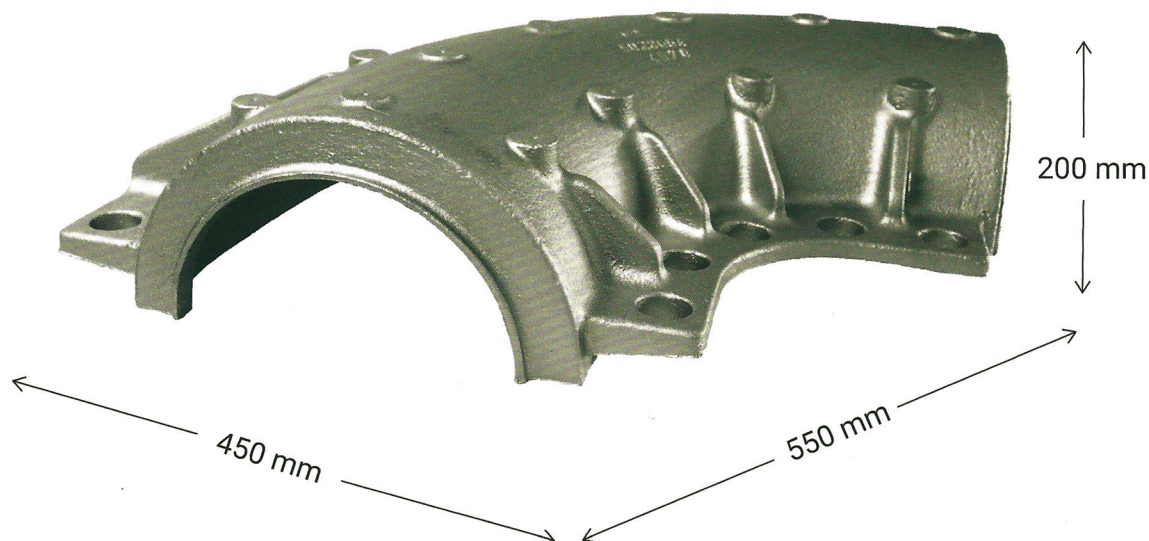


Elbow 8"

Material: Low Temperature Alloyed Steel

Supply Finish: Casted

Weight: 47kg

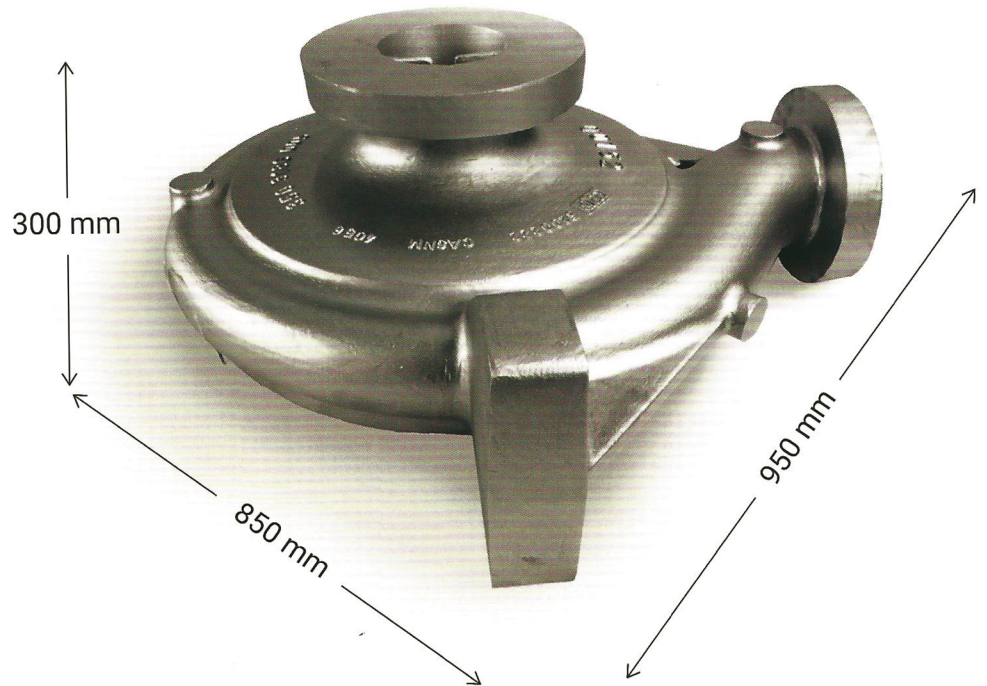


Pumpcasing Double Channel

Material: Martensitic Stainless Steel

Supply Finish: Casted

Weight: 350kg

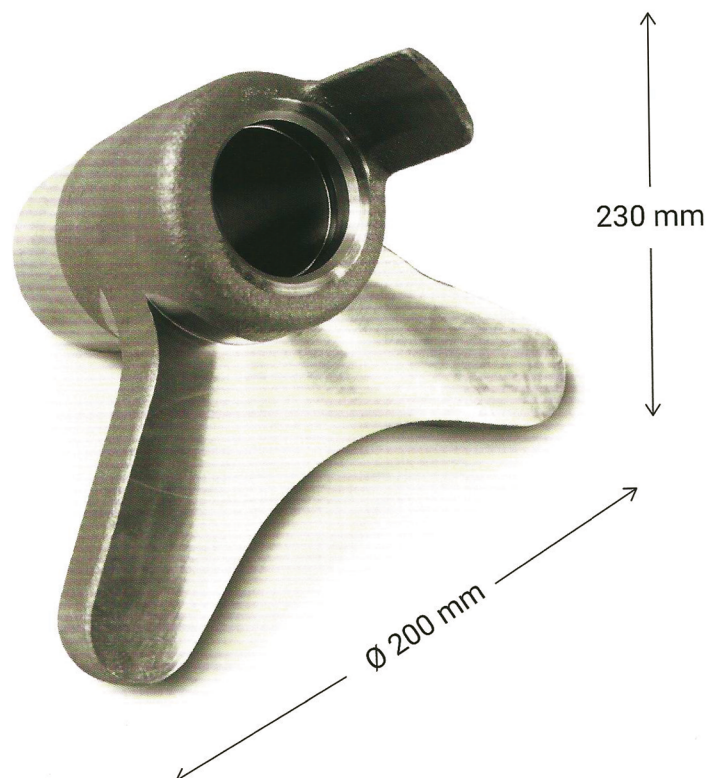


Quikcon

Material: Low Temperature Steel

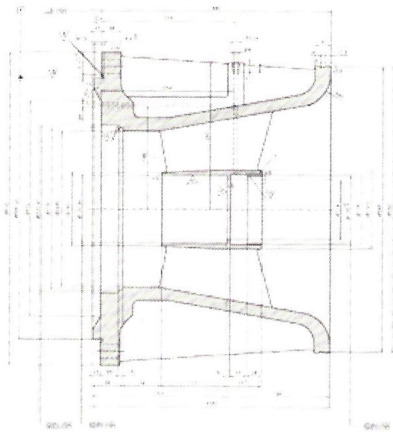
Supply Finish: Casted and Machined

Weight: 8,1kg

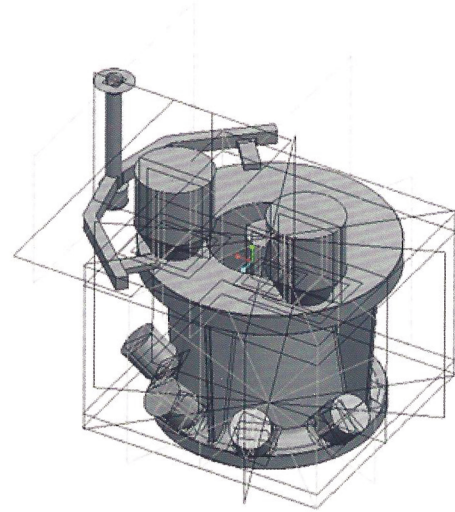
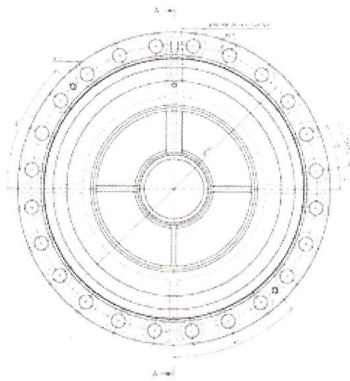


Product Engineering and Quality Control

To fulfil Quality requirements for the Energy, Oil & Gas industries, FERESPE is constantly seeking improvements of material properties and manufacturing procedures. To support this pro-active attitude, FERESPE has built solid relationships with Universities and Technological Centres.



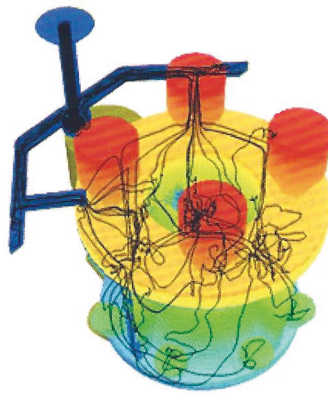
CAD



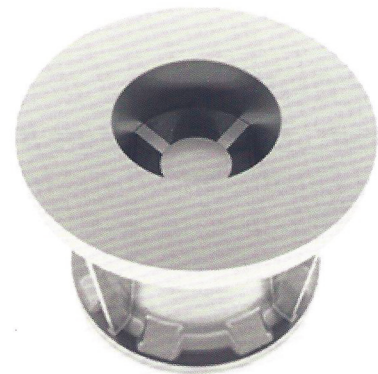
3D MODELING



SIMULATION OF
MOULD FILLING



FLUID SIMULATION



VISUALIZATION

FERESPE is able to perform Non-destructive Testing (PT, MT, UT and Radioscopy) in-house, with qualified inspectors according SNT-TC-1A, and subcontract activities for PT, MT, UT and RT also with qualified inspectors, in this case according EN ISO 9712:2012.

The Destructive Testing we are able to perform in-house are tensile test, impact test, hardness test and micrographic examination. If required, the destructive tests can be subcontracted to Accredited Laboratories according EN ISO/IEC 17025:2005, with whom we have a long relationship.

Our experience is supported by statistical data for the key parameters e.g. tensile strength, impact toughness, corrosion resistance (e.g. ASTM G48 Method A; ASTM A923 Method C; A262 Practice E) and micrographic examination (e.g. ASTM E562/ASTM E1245, ASTM E112).

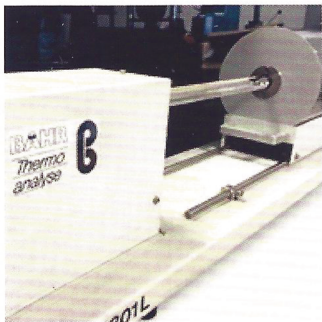
For the repairs by welding operations FERESPE has qualified welders according EN ISO 9606-1 and ASME IX and also qualified welding procedures for the relevant materials according EN11970, EN ISO 15614-1 and ASME IX.



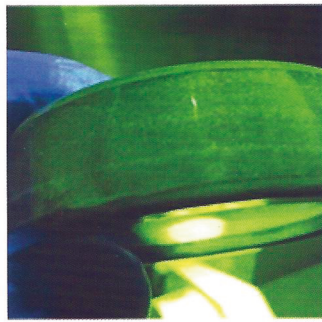
PHOTOMETRIC 3D SCANNING
DIMENSIONAL CONTROL AND REVERSE ENGINEERING



DIGITAL X-RAY INSPECTION



DILATOMETRY



MAGNETIC PARTICLE
INSPECTION



LIQUID PENETRANT
INSPECTION



CHEMICAL ANALYSIS

FERESPE has an additional capability recognised as high added value: about 40% of all parts are sold machined.

Certificates & Qualifications

As a result of the long experience of supplying sand castings for Energy, Oil & Gas markets, FERESPE has the knowledge on several standards and codes (e.g. Norsok Code M-650 Rev. 4, NACE MR0175/ISO 15156, MR0103, API 610, ASME B16.34 and ASME Boiler and Pressure Vessel).

By achieving Norsok M-650 Qualification, FERESPE has proved competence on the relevant material grades, technical knowledge and necessary equipment to perform according good practices for these materials.

FERESPE know-how will support your company within metallurgical subjects, developing solutions from scratch to cast. In full partnership.

We guarantee your company distinctive and qualified solutions for Energy, Oil & Gas industry.

NORSOK QUALIFICATION

FERESPE is qualified under **NORSOK Code M-650 Rev. 4 - Qualification of manufacturers of special materials for sand castings in Duplex and Super Duplex stainless steels**

- ASTM A995 Grade 4A
- ASTM A995 Grade 5A
- ASTM A995 Grade 6A

The qualification covers a maximum **thickness of 75mm** and **has no weight limitation**.

To fulfill NORSOK and Customers requirements, FERESPE has a dedicated area and related special equipment to handle with Duplex and Super Duplex stainless steels, namely, HT furnaces and finishing operations.

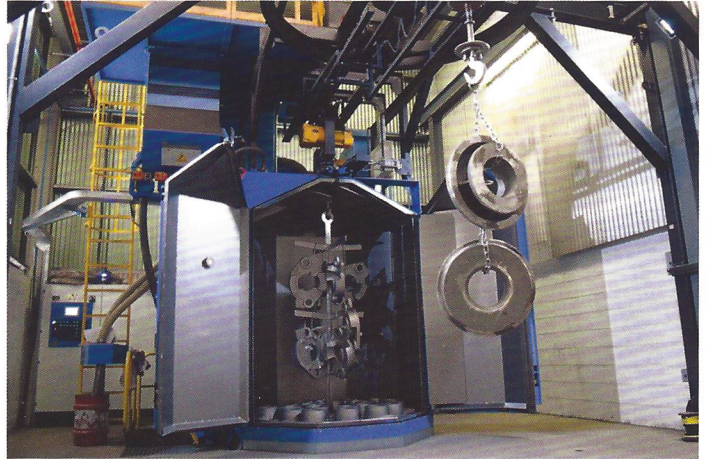


DNV-GL	Quality Management System ISO 9001:2015 Cert. nr. 180474-2015-AQ-IBE-ENAC Rev.1
DNV-GL	Approved manufacturer for steel castings, classification PT2.ch.2. Cert. nr. AMM-6458
TUV NORD	Manufacturer of components for pressure vessels AD-MERKBLATT W0/TRD 100 Cert. nr. 07-203-1326-WP-1689/15
TUV NORD	Quality Assurance System for Pressure Equipment - Directive 2014/68/EU Cert. nr. 07/202/1326/WZ/1689/16
NORSOK (AKER SOLUTIONS)	NORSOK Code M-650 Rev. 4 - Qualification of manufacturers of special materials for sand castings in duplex and super duplex stainless steels – ASTM A995 Grade 4A, 5A and 6A Cert. nr. QTR Nr. 01-WF 640; Cert. nr. QTR Nr. 02-WF 641; Cert. nr. QTR Nr. 03-WF 643.
AREVA	Quality Management System according to Standard KTA 1401 and ASME NCA 3800 for manufacturing of castings for valves and pumps components Cert. nr. IBOI-G/2016/EN/0093
BV (Marine & Offshore Division)	Recognition for BV Mode II Scheme Cert. nr. SMS.W.11.10187/A.0
Lloyd's Register	Approved manufacturer for Castings in Austenitic Stainless Steel. Cert. nr. MD00/4221/0002/2
ABS	Approved manufacturer for marine applications of iron and stainless steel castings Cert. nr. 14-MMPS-F&PAC-548

FERESPE - We Perform

FERESPE produces Stainless Steel and Steel Casted components for Pump Casings and Valves for over 20 years.

FERESPE positioned itself in a niche market that is characterized by small and medium series, where delivery times required are short, the quality standards are extremely high, and respect for the environment is a constant focus.



FERESPE's customer high satisfaction levels, in which we would like to include your company, represent our main goal.

FERESPE know-how will support your company within metallurgical subjects, developing solutions from scratch to cast. In full partnership.

We guarantee your company distinctive and qualified solutions for Energy, Oil & Gas industry.

Just try our expertise. We offer broader solutions to meet your goals.



FERESPE

WE CAST STRONG CONNECTIONS

WWW.FERESPE.PT



+ WE CAST STRONG CONNECTIONS +

FERESPE, Fundição de Aço e Ferro Lda.
Rua Brasiela, 60 - 4760-485 Fradelos
V. N. Famalicão - Portugal
N 41°20' 53.0484" | W 8°35' 8.8182"

Tel: +351 252 490 470
Fax: +351 252 490 479
Email: ferespe@ferespe.pt